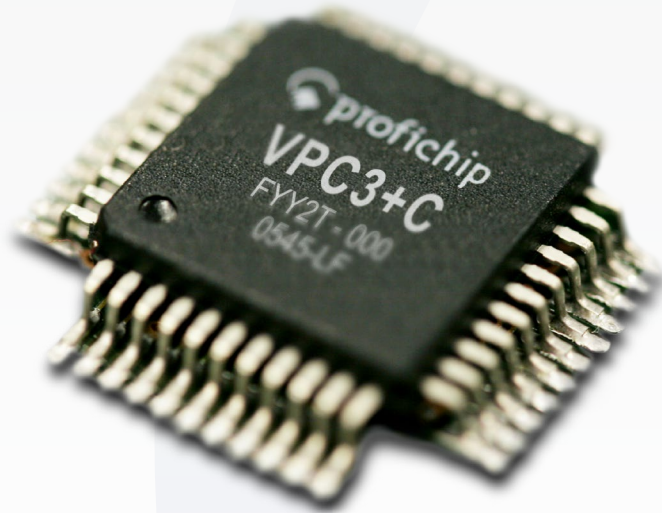


PROFIBUS-DP-Slave Controller

VPC3+C



- Pin and function compatible with SPC3 from Siemens
- Supporting PROFIBUS DP-V0, DP-V1 & DP-V2 protocol (DxB, IsoM, Clock-Synchronisation)
- 4 KByte communication RAM
- Configurable 8-Bit μ controller interface
- 5V or 3,3V supply voltage
- Low power consumption
- Software stack and evaluation-kit
- Package PQFP44 (RoHS compliant)

PROFIBUS-DP made easy

Functional description

The VPC3+C handles message and address identification, checks the data security sequences and protocol processes for PROFIBUS-DP. It supports as well acyclic communication and alarm messages, described in the DP-V1 extension. Features described in the DP-V2 extension, as slave-to-slave communication Data eXchange Broadcast (DXB), clock synchronization and the Isochronous Mode (IsoM), are also provided.

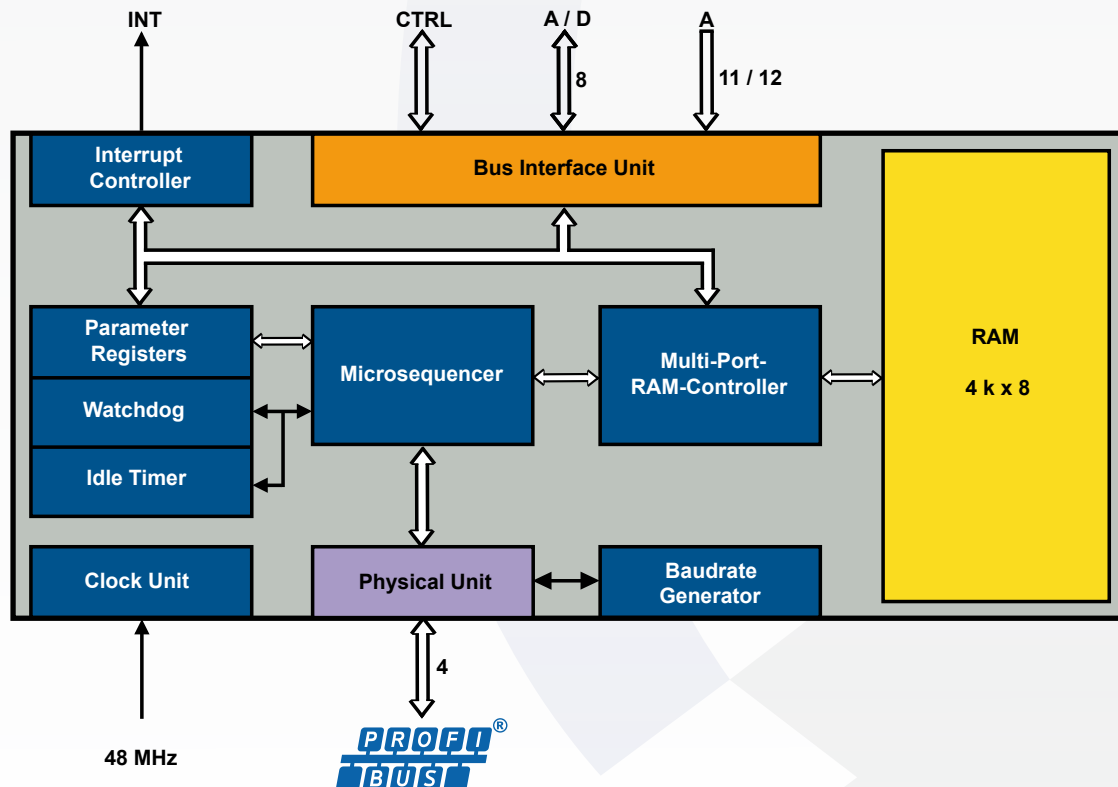
Operation

Automatic baudrate recognition and support of data transmission rates up to

12 Mbit/s, the complete PROFIBUS-DP protocol integration, 4 kByte communication RAM and flexible processor interfaces are features to create state-of-the-art PROFIBUS slave applications. The device may be operated with either 3.3V or 5V single supply voltages.

Compatibility

The VPC3+C is pin-compatible to the SPC3, making it suitable for direct replacement in already existing applications without restrictions or software modifications.



Any Questions? Give us a call

We like to support you. Profichip is not only a technology leader in industrial fieldbus communication but also one of the big suppliers in system consulting.